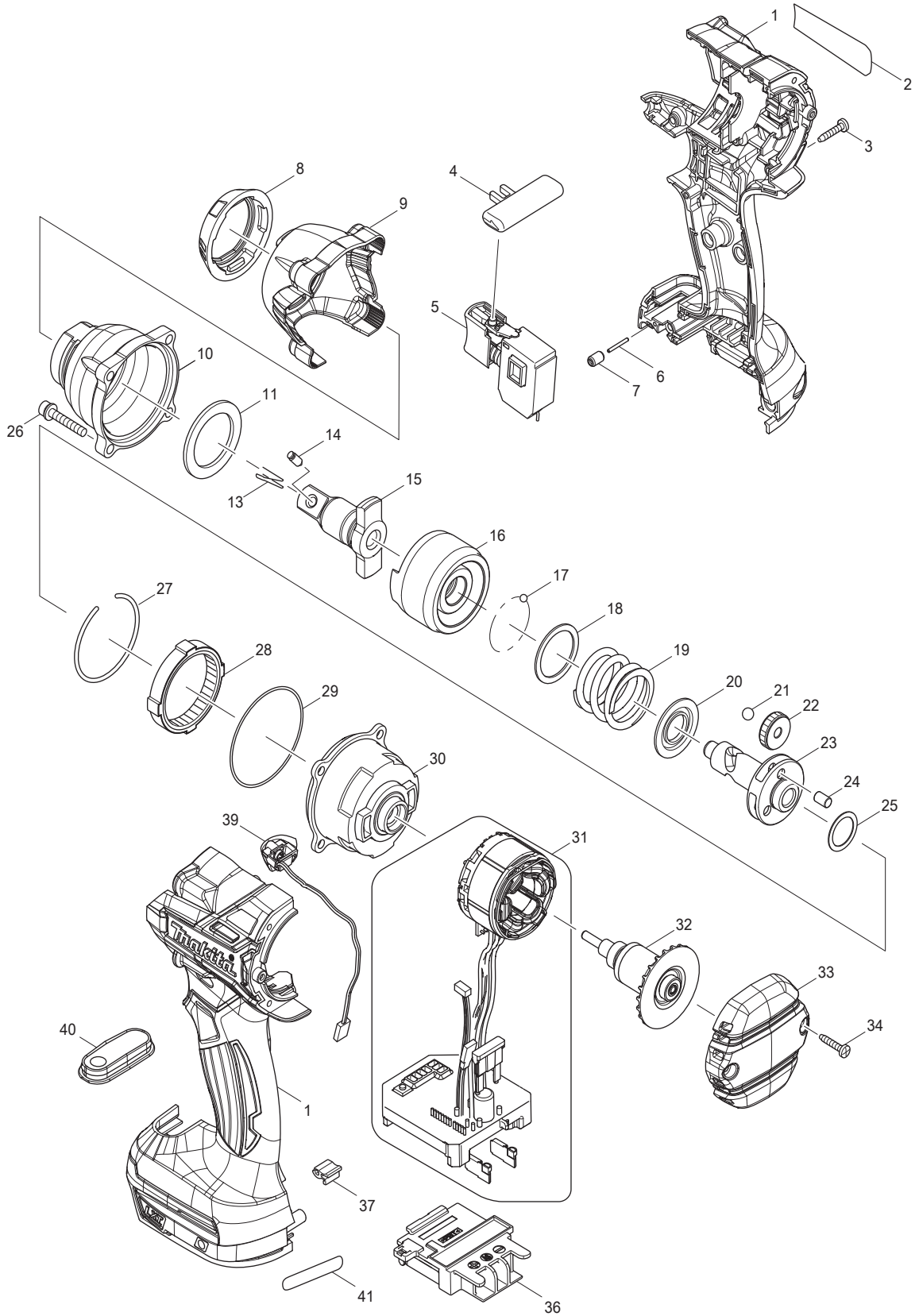




02 - 2014
DTW281RME, DTW281Z
18V BRUSHLESS IMPACT WRENCH (1/2" DRIVE)



Item No	Type	Part No	Description	Qty	Unit
1	1	187819-5	HOUSING SET	1	SET
		INC. 263005-3	RUBBER PIN 6	2	PC.
	2	183D46-6	HOUSING SET	1	SET
		INC. 263005-3	RUBBER PIN 6	2	PC.
2		815N14-8	NAME PLATE F/DTW281	1	PC.
3		266130-9	TAP SCREW BIND PT 3X16	8	PC.
4		419041-9	CHANGE LEVER F/R	1	PC.
5		650673-5	SWITCH	1	PC.
6		268184-2	PIN 1.5	1	PC.
7		263036-2	RUBBER PIN 5	1	PC.
8		424568-6	BUMPER	1	PC.
9		454851-7	HAMMER CASE COVER	1	PC.
10	1	142388-3	HAMMER CASE COMPLETE	1	PC.
	2	143911-7	HAMMER CASE COMPLETE	1	PC.
11		261154-0	NYLON WASHER 28	1	PC.
13		322045-1	CLIP	1	PC.
14		323675-1	PIN 4, ROUND HEAD	1	PC.
15	1	326388-3	* ANVIL A	1	PC.
	2	326899-8	* ANVIL A	1	PC.
16		326384-1	HAMMER	1	PC.
17		216001-0	STEEL BALL 3.5	24	PC.
18		267175-0	FLAT WASHER 24	1	PC.
19		234322-8	COMPRESSION SPRING 25	1	PC.
20		267766-7	CUP WASHER 14	1	PC.
21		216011-7	STEEL BALL 5.6	2	PC.
22		227338-0	SPUR GEAR 22	3	PC.
23		326385-9	SPINDLE	1	PC.
24		268311-1	PIN 5	3	PC.
25		253147-1	FLAT WASHER 15	1	PC.
26		266915-3	HEX.SOCKET HEAD BOLT M4X25	4	PC.
27		233910-8	RING SPRING 43	1	PC.
28		227337-2	INTERNAL GEAR 51	1	PC.
29		213785-1	O RING 49	1	PC.
30		142389-1	INTERNAL GEAR CASE COM.	1	PC.
31		632D63-8	STATOR UNIT	1	PC.
32		619341-9	ROTOR	1	PC.
33		454850-9	REAR COVER	1	PC.
34		266130-9	TAPPING SCREW BIND PT 3X16	2	PC.
36		643860-3	TERMINAL	1	PC.
37		424517-3	CUSHION	1	PC.
39		620295-5	LED CIRCUIT	1	PC.
40		142394-8	* SWITCH PLATE COMPLETE	1	PC.
41		803R54-2	CAUTION LABEL	1	PC.
100		266622-8	(+)TH SCREW M4X12(F/HOOK)	1	PC.
C01D		877959-4	CARTON F/DTW281RME	1	PC.

ACCESSORIES

- See Catalogue or visit www.makita.ca for more accessories -

A02		-----	LI-ION BATTERY ACCESSORIES		
A03		-----	18V LI-ION BATTERY		
A04		-----	BATTERY CHARGER		
A05		-----	1/2" IMPACT WRENCH ACCESSORIES		
A06	1	142793-4	PLASTIC CARRYING CASE COMPLETE	1	PC.
		INC. 162302-3	LATCH	2	PC.
		INC. 324319-6	SHAFT	1	PC.
		INC. 451749-9	HANDLE	1	PC.
	2	197211-7	INTERLOCKING TOOL CASE M	1	PC.
		INC. 453974-8	LOCKING LATCH	4	PC.
A07		T-02571	FOAM INSERT F/INTERLOCK CASE	2	PC.
A08		-----	DEEP DRIVE SOCKETS		
A09		-----	WORK GLOVES		

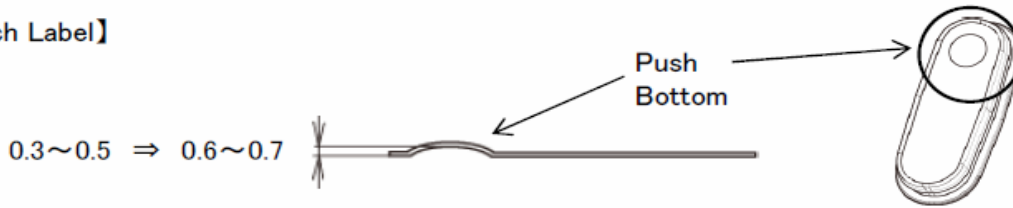
SERVICE CHANGES

1. Changes on Switch Plate Complete

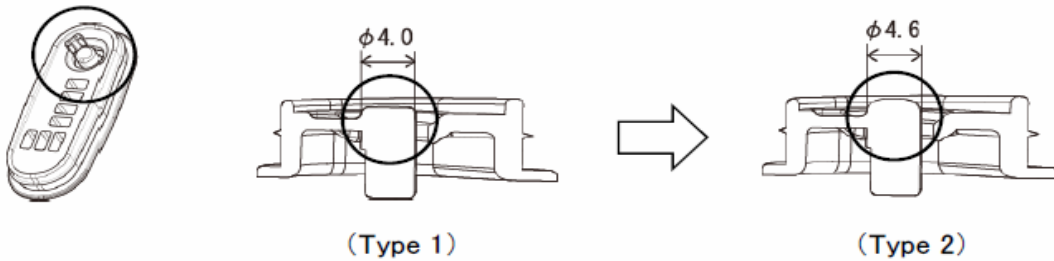
(TI#A5419)

Item No.	Description	Type 1	Type 2
40	Switch Plate Complete		142394-8

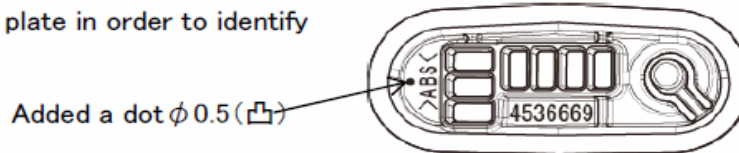
【Switch Label】



【Switch Plate】



※Type 2 has a dot on Switch plate in order to identify



2. Changes on Switch Plate Complete

(TI#B4835)

Item No.	Description	Type 1	Type 2
15	Anvil A	326388-3	326899-8

Type 1

Type 2

